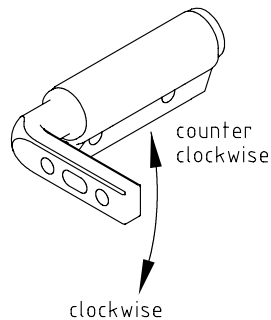
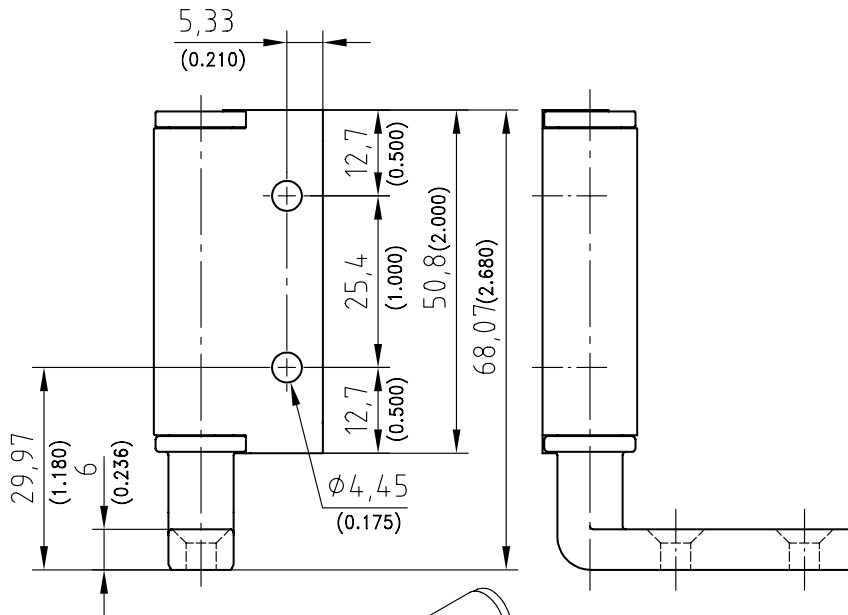
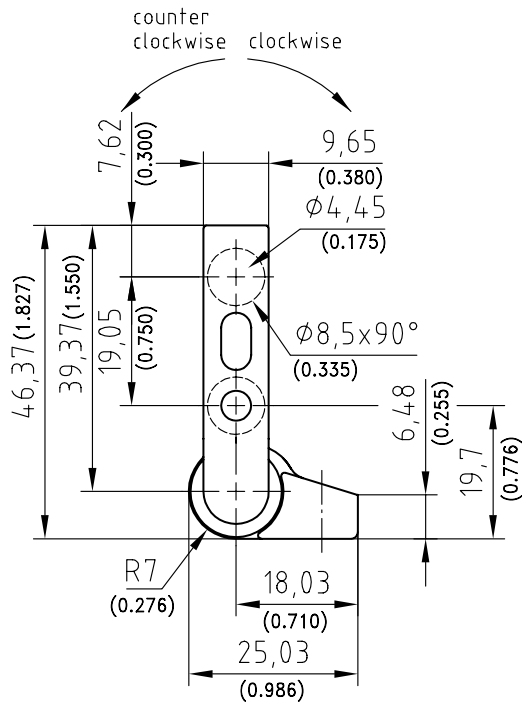


4-704 Torque Hinge Pr01 360° for nested door



360° hinge with constant torque throughout its full range of motion. The object (door, monitor) may be moved into any position and with remain.

- Without any engagement.
- Springback typically < 1°
- Constant torque throughout its full range of motion.
- Life of > 20.000 cycles

Applications: Office Equipment, Medical Devices, Computer Peripherals, Flat Panel Monitors, Access Panels, Industrial Enclosures, Equipment Guards.

Material:

- **Frame- and doorpart:** zinc die, black matt E-COATED
- **Shaft and torque clips:** hardened steel

Fastening framepart: for example with M4 screw DIN-EN-ISO 4762
Fastening doorpart: for example with M4 screw DIN-EN-ISO 10642

	clockwise	counter clockwise	Part-No.
Torque Hinge LH (as drawn)	5.00Nm	3.25Nm	703-9004.00-00325
Torque Hinge RH	3.25Nm	5.00Nm	703-9005.00-00325

with **RELLTORQ** technology

12/16/08

© copyright by DIRAK / Germany

